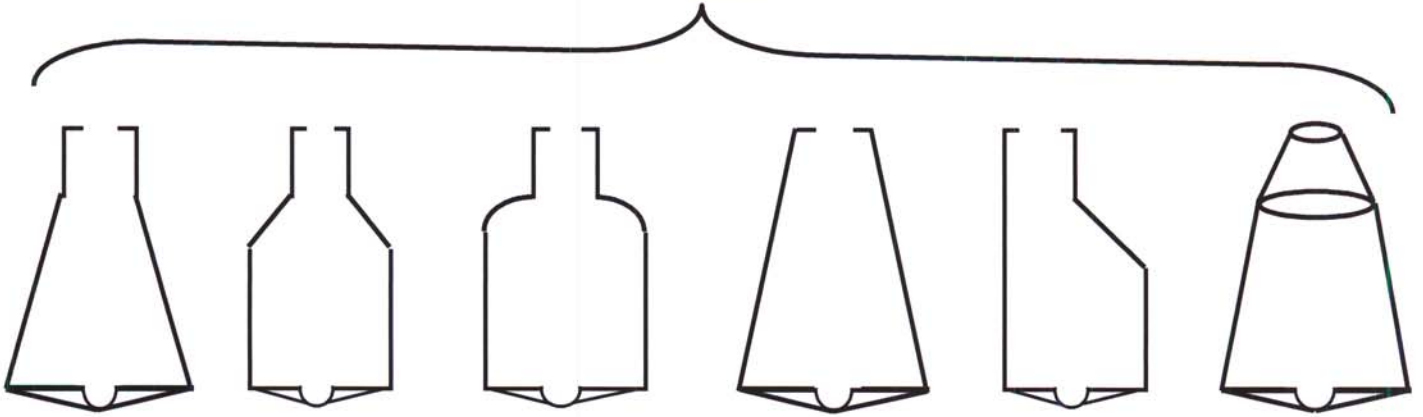


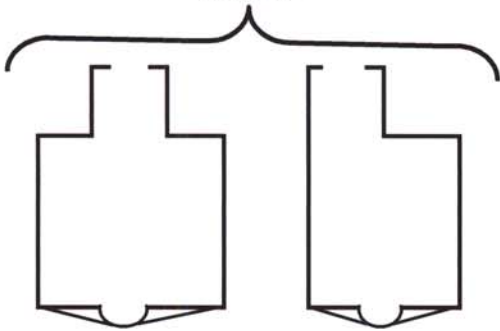
Poly-Triplex Liner System Measurement Specifications

| Structure Specification # | Structure Type | Structure Detailed Description |
|---------------------------|--|--|
| 1 | Standard Center | Standard Concentric (center corbel) Typical Type (A) Manhole |
| 2 | Standard Offset | Standard Eccentric (offset corbel) Typical Type (A) Manhole |
| 3 | Bell | Standard Bell Shape, Gentle Slope, Top to Bottom, Type (A) Manhole |
| 4 | Flat Center Cylindrical | Flat Top (no corbel/cone), Type (B) with Cylindrical Chimney in Center |
| 5 | Flat Offset Cylindrical | Flat Top (no corbel/cone), Type (B) with Cylindrical Chimney Offset |
| 6 | Free Form For Unusual Shapes | Use this form for making your own sketch of unusual manhole shape. |
| 7 | Square/Rectangular Flat Center, Type (D) | Square/Rectangular Base - Flat Top with Cylindrical Chimney in Center |
| 8 | Square/Rectangular Flat Offset, Type (D) | Square/Rectangular Base - Flat Top with Cylindrical Chimney Offset |
| 9 | Square/Rectangular Flat with Sq/Rect Chimney | Square/Rectangular Base - Flat Top with Sq/Rect Center or Offset Chimney |
| 10 | Square/Rectangular Flat W/ Sq/Rect Hatch Opening | Square/Rectangular Base with Flat Corbel and Sq/Rect Hatch Opening (Catch Basin) |
| 11 | Offset or Center Junction Box Manhole, Type (D) | Type (A) Standard Manhole with Square/Rectangular Junction Box Base |
| 12 | Cylindrical Junction Box Manhole, Type (D) | Type (C) Cylindrical Manhole with Square/Rectangular Junction Box Base |
| 13 | Cylindrical Pump Station or Wet Well, Type E/F | Cylindrical Pump Station, Wet Well or Vault with Slab Top and Sq/Rect Hatch Opening |
| 14 | Square/Rectangular Pump Station or Wet Well, Type G/H | Square/Rectangular Pump Station, Wet Well or Vault with Slab Top and Sq/Rect Hatch Opening |
| 15 | Square/Rectangular Catch Basin | Square/Rectangular Catch Basin (Indicate Top Shape & Opening) |

**TYPE A
Typical Manhole
Structures**



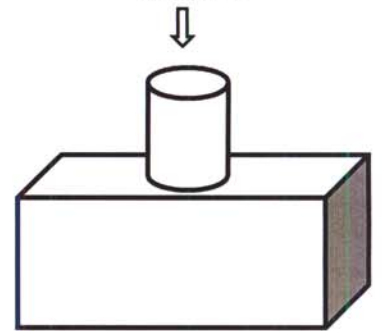
**TYPE B
Flat-Top Manhole
Structures**



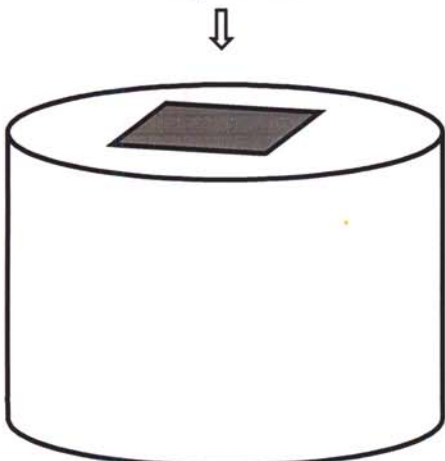
**TYPE C
Cylindrical
Manhole Structure**



**TYPE D
Junction Manhole
Structure**



**TYPE E/F
Cylindrical
Pump Stations**



**TYPE G/H
Square or
Rectangular
Pump Stations**

